

Bradstreet II Fireclay Farmhouse Sink

SINKOLOGY™

Model #SK499-30FC

30" x 18" x 10"

Features

- + The Bradstreet II is part of our INSPIRED line of fireclay sinks that offer the timeless farmhouse design with modern enhancements for functionality and easy use.
- + Handcrafted to withstand the needs of a busy kitchen without sacrificing the elegance of a classic apron-style farmhouse sink.
- + Offers the signature look of an authentic farmhouse sink with generous space for filling pots, stacking dishes, cleaning, and preparing meals.
- + Our crisp white fireclay material is hand-selected as the perfect combination of durability, density, beauty, and functionality.
- + Guaranteed to not chip, crack, stain, or rust, and we back that promise with our exclusive Sinkology Lifetime Warranty.
- + Designed for easy installation with level, flat bottom and 90-degree side walls.



#SK499-30FC



Product Pairing Suggestions

Kitchen Sink Basket Strainer Drain

Antique Copper #TB35-01, Nickel #TD35-02

Kitchen Sink ISE Disposal Flange

Antique Copper #TD35-01, Nickel #TD35-02

Kitchen Sink Bottom Grid

Johnson Antique Brown Grid #SG004-27

Wren Stainless Steel Grid #SG008-27ST

About Sinkology

At Sinkology, we are on a mission to make unique, high-quality kitchen, bath and home décor products that inspire real people to find beauty in their homes and lives.

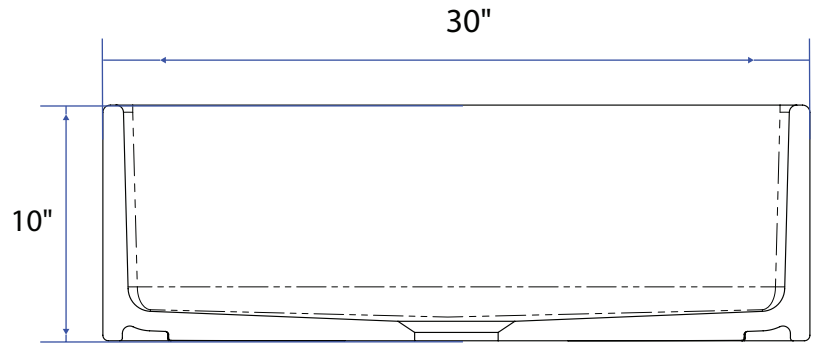
We believe that every project and every budget is worthy of beautiful products designed to last a lifetime—and that with the right information, every house can become the home of your dreams.

Bradstreet II Fireclay Farmhouse Sink

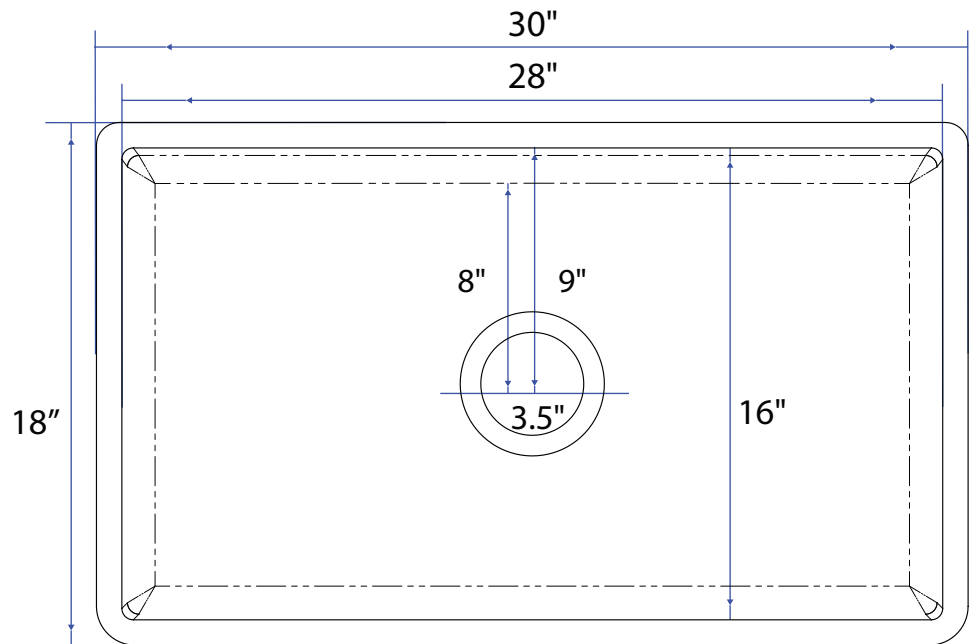
SINKOLOGY™

Technical Specifications

- + Outer - 30" x 18" x 10"
- + Inner - 28" x 16" x 9"
- + Weight - 100 lbs
- + Drain - 3.5" diameter
- + Cabinet Size - 33" minimum



FRONT VIEW: SMOOTH APRON



TOP VIEW

Lifetime Warranty

All Sinkology products come with a lifetime warranty. You won't need it, but it's there.



CustomerService@Sinkology.com | 866.915.3003