

3.5" Kitchen Basket Strainer Drain in Stainless Steel

SINKOLOGY®

Model #TB35-03

4.5" 4.5" x 2.5"

The Sinkology 3.5" Kitchen Basket Strainer Drain is designed and manufactured for easy installation and durability. Solid and durable stainless steel construction and removable post styled basket makes this the perfect drain for any kitchen sink. The new design improves performance while looking beautiful. All our sink drains are also protected by our Every Day Promise Lifetime Warranty.

Features

- + Easy to install
- + Fits standard kitchen sink drain holes
- + Removable post style basket strainer can be used to hold water
- + Removable post style basket makes cleaning easy
- + Stainless steel finish coordinates beautifully with stainless steel and white kitchen sinks
- + Protected by our Exclusive Everyday Promise Lifetime Warranty



About Sinkology

At Sinkology, we are on a mission to make unique, high-quality kitchen, bath and home décor products that inspire real people to find beauty in their homes and lives.

We believe that every project and every budget is worthy of beautiful products designed to last a lifetime—and that with the right information, every house can become the home of your dreams.

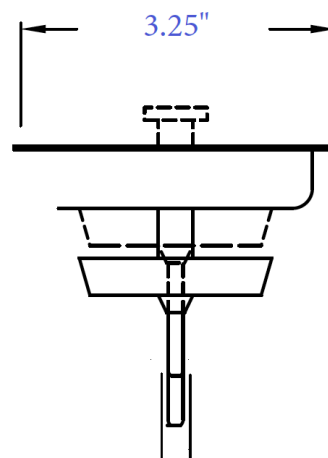
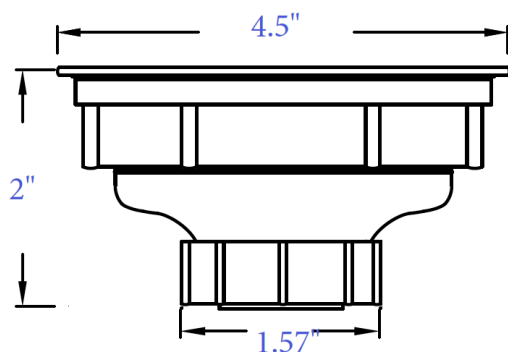
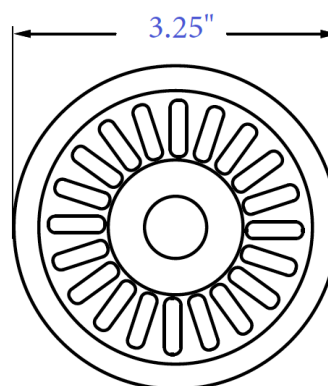
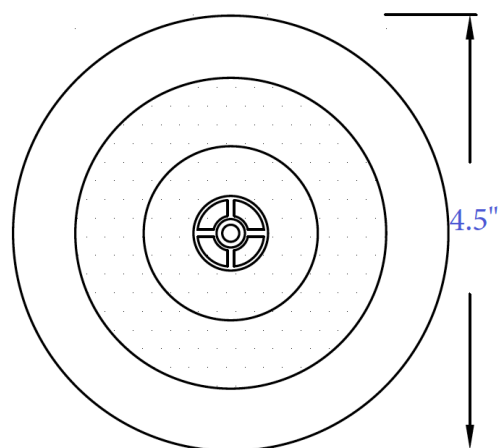
3.5" Kitchen Basket Strainer Drain in Stainless Steel

SINKOLOGY®

Technical Specifications

+ Dimensions: 4.5" x 4.5" x 2.5"

+ Drain size: 3.5"



Lifetime Warranty

All Sinkology products come with our Everyday Promise Lifetime Warranty. You won't need it, but it's there.



CustomerService@Sinkology.com | 866.915.3003