

# Bradstreet II Fireclay Farmhouse Sink

SINKOLOGY®

**Model #SK499-30FC**

**30" x 18" x 10"**

## Features

- + The Bradstreet II is part of our INSPIRE and VIBE Collections of fireclay sinks that offer the timeless farmhouse design with modern enhancements for functionality and easy use.
- + Handcrafted to withstand the needs of a busy kitchen without sacrificing the elegance of a classic apron-style farmhouse sink.
- + Offers the signature look of an authentic farmhouse sink with generous space for filling pots, stacking dishes, cleaning, and preparing meals.
- + Our crisp white fireclay material is hand-selected as the perfect combination of durability, density, beauty, and functionality.
- + Guaranteed to not chip, crack, stain, or rust, and we back that promise with our exclusive Sinkology Everyday Promise® Lifetime Warranty.
- + Designed for easy installation with level, flat bottom and 90-degree side walls.



*\*Sinks are individually handcrafted, sizes may vary slightly*

#SK499-30FC

VIBE Collection Color Options



## Product Pairing Suggestions

### Kitchen Sink Basket Strainer Drain

Antique Copper #TB35-01, Stainless #TB35-03

### Kitchen Sink Disposal Flange

Antique Copper #TD35-01, Stainless #TD35-03

### Kitchen Sink Bottom Grid

Johnson Antique Brown Grid #SG004-27

Wren Stainless Steel Grid #SG008-27ST

GridLogic Stainless Steel #SGL-PLT-ST

GridLogic Antique Brown #SGL-PLT

### Fireclay Care IQ™ Kit

#SARMOR-401

## About Sinkology

At Sinkology, we are on a mission to make unique, high-quality kitchen, bath and home décor products that inspire real people to find beauty in their homes and lives.

We believe that every project and every budget is worthy of beautiful products designed to last a lifetime—and that with the right information, every house can become the home of your dreams.

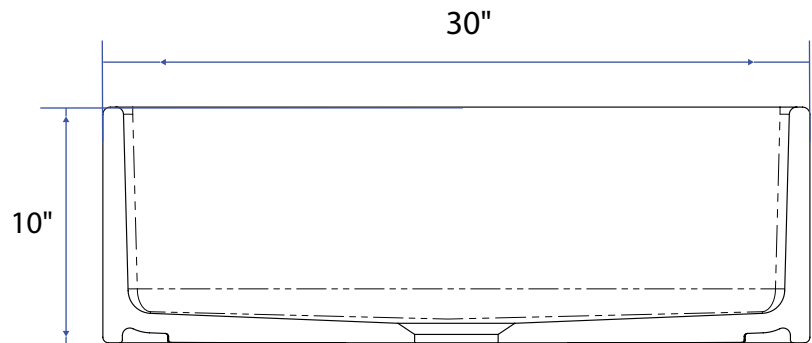
SINKOLOGY.COM

# Bradstreet II Fireclay Farmhouse Sink

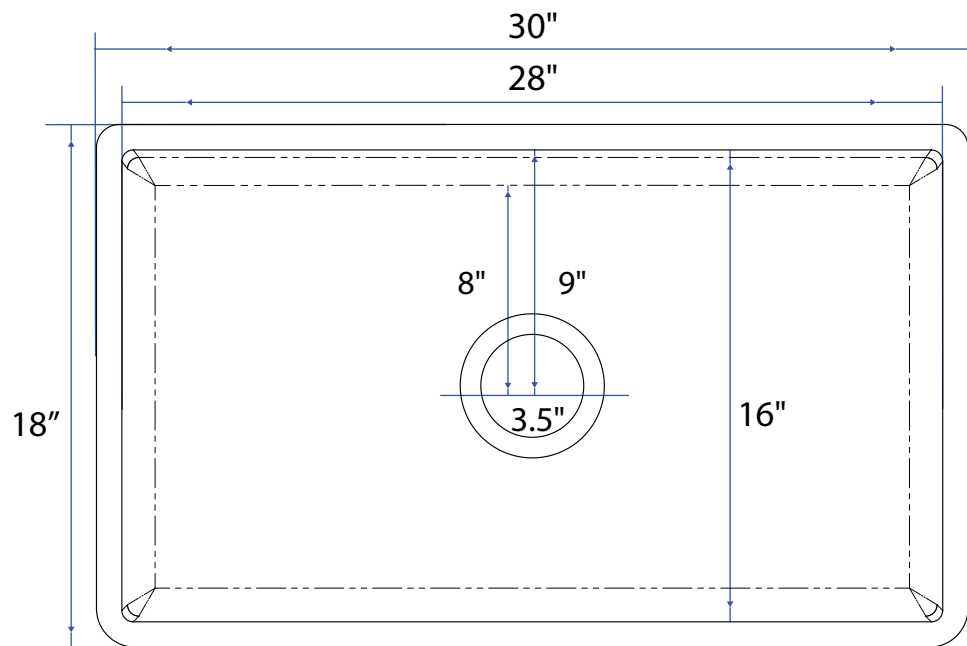
SINKOLOGY®

## Technical Specifications

- + Outer - 30" x 18" x 10"
- + Inner - 28" x 16" x 9"
- + Weight - 90 lbs
- + Drain - 3.5" diameter
- + Cabinet Size - 33" minimum



FRONT VIEW: SMOOTH APRON



TOP VIEW

## Lifetime Warranty

All Sinkology products come with a lifetime warranty.  
You won't need it, but it's there.



CustomerService@Sinkology.com | 866.915.3003