

Parker Quick-Fit® Drop-In Fireclay Farmhouse Sink

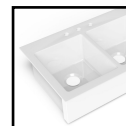
SINKOLOGY®

Model #SK453-34FC

34" x 24.25" x 9"

Features

- + The Parker is handcrafted to withstand the needs of busy family life and designed to be easy to install in existing cabinets and countertops
- + Quick-Fit Design makes for easy installation into existing cabinets and countertops
- + Sinkology's SureFire® finish is applied to our ELEVATE Collection of fireclay sinks to lock in durability and provide an additional layer of protection.
- + Sinkology's fireclay kitchen sinks are guaranteed not to chip, crack, stain or rust with proper indoor use.
- + The Parker double bowl, fireclay farmhouse kitchen sink comes backed with the Sinkology Everyday Promise lifetime warranty.
- + As a Quick-Fit drop-in sink, the Parker is handcrafted for easy install. Check out the Bilt Interactive Installation App for step-by-step guided instructions to make your install a breeze.



SK453-34FC

Product Pairing Suggestions

Kitchen Sink Basket Strainer Drain

Antique Copper #TB35-01, Stainless #TB35-03

Kitchen Sink Disposal Flange

Antique Copper #TD35-01, Stainless #TD35-03

Fireclay Care IQ™ Kit

#SARMOR-401

About Sinkology

At Sinkology, we are on a mission to make unique, high-quality kitchen, bath and home décor products that inspire real people to find beauty in their homes and lives.

We believe that every project and every budget is worthy of beautiful products designed to last a lifetime—and that with the right information, every house can become the home of your dreams.

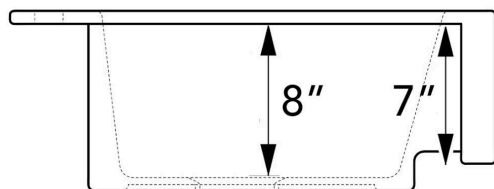
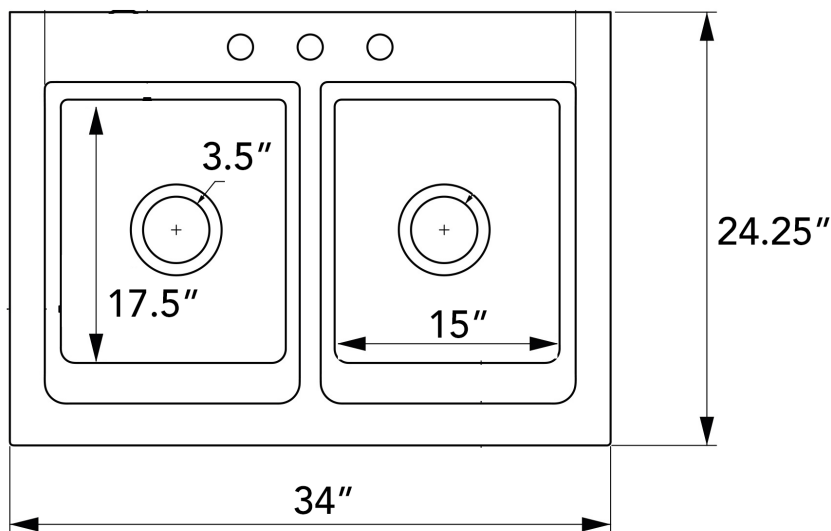
Parker Quick-Fit® Drop-In Fireclay Farmhouse Sink

SINKOLOGY®

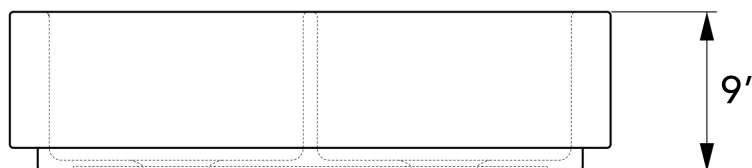
Technical Specifications

- + Outer - 34" x 24.25" x 9"
- + Inner - 15" x 17.75" x 8"
- + Bowl - 50/50 Split
- + Weight - 85 lbs
- + Drain - 3.5" diameter
- + Cabinet Size - 36" minimum

TOP VIEW



SIDE VIEW



FRONT VIEW

Lifetime Warranty

All Sinkology products come with our Everyday Promise Lifetime Warranty. You won't need it, but it's there.



CustomerService@Sinkology.com | 866.915.3003