

Angelico Drop-In Copper Sink

Model # [SK101-33AC](#)

33" x 22" x 8"

Features

- + Handmade 17 Gauge Copper
- + Antique Copper Finish
- + Additional Faucet Holes Available
- + Lifetime Warranty



[SK101-33AC](#)



[SK101-33AC](#)

Product Pairing Suggestions

Rohe Copper Kitchen Sink Bottom Grid

Model # [SG003-29](#)

Antique Kitchen Strainer Drain

Model # [TB35-01](#)

Kitchen Sink ISE Disposal Flange

Model # [TD35-01](#)

Deluxe Copper Armor Kit

Model # [SARMOR-201](#)

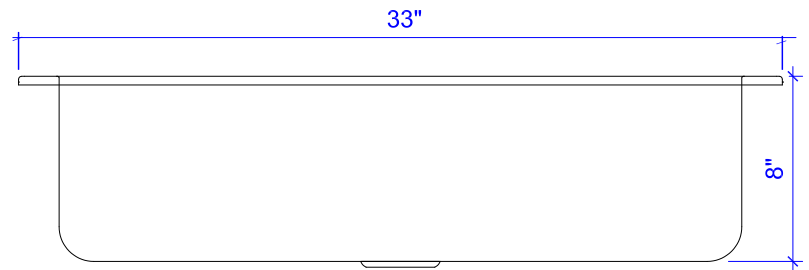
Why Sinkology?

We design our unique copper sinks and tubs with the highest-grade, solid, pure copper with durability to last a lifetime. With Sinkology, a simple thing like a copper sink or tub can transform your kitchen or bathroom without busting your budget.

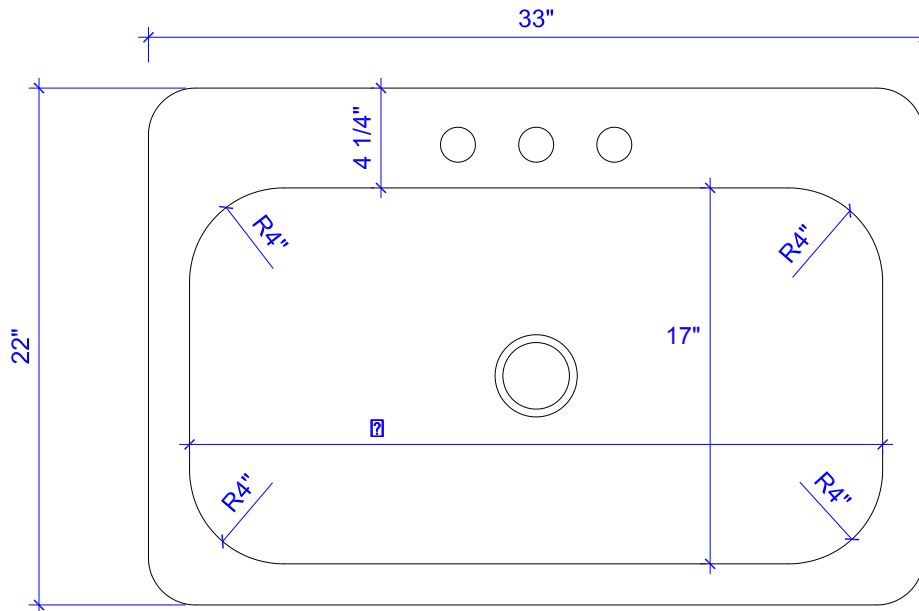
Angelico Drop-In Copper Sink

Technical Specifications

- + Outer - 33" x 22" x 8"
- + Inner - " x 17" x 8"
- + Drain - Standard Kitchen Drain
- + Thickness - 17 Gauge



FRONT VIEW



TOP VIEW

Lifetime Warranty

All Sinkology products come with a lifetime warranty. You won't need it, but it's there.



CustomerService@Sinkology.com | 866.915.3003